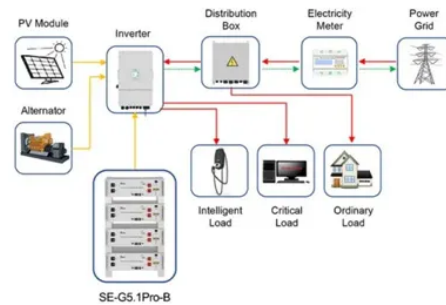


What are the functions of UPS uninterruptible power supply



Application scenarios of energy storage battery products

Overview

In a UPS, the energy is generally stored in flywheels, batteries, or super capacitors. When compared to other immediate power supply system, UPS have the advantage of immediate protection against the input power interruptions. It has very short on-battery run time; however. When the main power fails, the UPS supplies power for a short time. This is its primary role. Additionally, UPS can correct power problems like voltage spikes, noise, and frequency instability. The problems that can be corrected are voltagespike (sustained over. Applications of a UPS include: 1. Data Centers 2. Industries 3. Telecommunications 4. Hospitals 5. Banks and insurance 6. Some special projects (events) You can. Generally, the UPS system is categorised into On-line UPS, Off- line UPS and Line interactive UPS. Other designs include Standby on-line.



Article Content

How Does an Uninterruptible Power Supply Work?

Dec 30, 2024 · How does an uninterruptible power supply work, though? These systems bridge the gap between power failures and system reliability.

Uninterruptible Power Supply: What It Is and ...

An uninterruptible power supply (UPS) or uninterruptible power system is an electrical unit that provides power for computers, telecommunication ...

What is the Function of UPS?

In addition, the UPS uninterruptible power supply is used as a protective power supply device, and its performance parameters are of great significance as one of the considerations when ...

What is UPS Uninterruptible Power Supply?

Sep 19, 2024 · What is UPS and How Does it Work? UPS essentially serves two main functions: first, it provides uninterrupted energy when there is a sudden power outage or voltage drop; ...

8 Functions of UPS Power Supply

Dec 26, 2022 · An uninterruptible power supply is a constant voltage and constant frequency uninterruptible power supply that contains an energy storage device ...

Definition and Uses of a UPS (Uninterruptible Power Supply)

3 days ago · A UPS (uninterruptible power supply) in an IT context is a device that provides backup power to equipment during interruptions or instability in the power grid, thus protecting ...

How UPS (Uninterruptible Power Supply) ...

Feb 21, 2025 · UPS stands for Uninterruptible Power Supply. A UPS system is an autonomous source of alternate power that is used to supply sensitive ...

UPS: Uninterruptible Power Supply

Nov 23, 2023 · Learn about UPS (Uninterruptible Power Supply), its types, components, and how it works to provide backup power during outages.

The Importance of a UPS (Uninterruptible Power ...

Mar 29, 2021 · A UPS, or uninterruptible power supply, is a device with two main functions: It is an emergency power system that provides a backup energy ...

What Are Uninterruptible Power Supply (UPS) Systems and ...

Feb 25, 2025 · An Uninterruptible Power Supply (UPS) is a device that provides emergency power during outages, surges, or voltage fluctuations. It safeguards connected equipment like ...

Types of UPS (Uninterruptible Power Supply)

Sep 30, 2020 · An Uninterruptible Power Supply (UPS) is a device designed to provide backup power when the primary power source fails or when voltage ...

Uninterruptible Power Supply (UPS) - Definition, Block ...

Dec 16, 2022 · When there is any failure in the main power supply from the utility, the UPS supplies emergency power to the load for a short duration of time. This is the primary function ...

The Role and Importance of Uninterrupted ...

Jun 24, 2025 · Explore the critical role of Uninterrupted Power Supply (UPS) systems in preserving power stability ✂. Understand their design, function, ...

What is the Function of Uninterruptible Power Supply (UPS)

What is the Function of Uninterruptible Power Supply (UPS) In an era dominated by technology, power is a fundamental resource that drives virtually every aspect of our daily lives. From ...

What Is a UPS? How an Uninterruptible Power ...

Apr 2, 2024 · A UPS, or an uninterruptible power supply system, is an electrical device designed to provide emergency power to a load when the input power ...

What's the function of a UPS□uninterruptible power supply...

The primary functions of UPS is to provide battery backup when the electrical power fails or drops to an unacceptable voltage level.

Function of a UPS: Uninterruptible Power Supply ...

Sep 9, 2024 · When you want or need to make sure an electronic device always has power, a UPS device is the tool for the job. The function of a UPS is to ...

Uninterruptible Power Supply: What It Is and ...

This article introduces the working principles of uninterruptible power supply, main types including standby (offline) UPS, line-interactive UPS, online (double ...

The Importance & Functions of Uninterruptible Power Supply

Apr 13, 2022 · Uninterruptible Power Supply Get battery back-ups to keep your electrical devices running. Your UPS device is the perfect solution during power outages. This emergency power ...

Understanding the Importance of ...

Jan 9, 2025 · Reliable UPS systems can benefit South African businesses and industries in all sectors by safeguarding electrical equipment and ensuring ...

You Need an Uninterruptible Power Supply (UPS)

Feb 10, 2023 · Uninterruptible power supply (UPS) units aren't just for data centers and overly cautious geeks. There are plenty of good reasons to ...

Explained: What is an Uninterruptible Power ...

Jul 15, 2025 · An Uninterruptible Power Supply (UPS) is a critical device designed to provide automated backup electric power to a load when the input power ...

Types of Uninterruptible Power Supply (UPS) ...

Uninterruptible Power Supply (UPS) can be categorized into various types according to different classification criteria. This post will focus on the ...

How does an Uninterruptible Power Supply ...

Sep 10, 2015 · An uninterruptible power supply (UPS), also known as a battery backup, provides backup power when your regular power source fails or ...

What is an uninterruptible power supply (UPS)?

Jul 22, 2024 · An uninterruptible power supply (UPS) is a device that allows a computer to keep running for at least a short time when incoming power is ...

What is UPS: Definition, Function, How it Works and Types

Jul 28, 2023 · UPS (Uninterruptible Power Supply) is an electrical device that functions to provide temporary electrical power for electronic devices.

What is the Function of Uninterruptible Power Supply (UPS)

In simpler terms, when there is a sudden loss of power, the UPS takes over and supplies power from its internal batteries. This seamless transition prevents devices from shutting down, ...

What is UPS? -Working & Types of UPS Explained

Sep 24, 2020 · A UPS is a device which provides an uninterruptable power supply so as to maintain the continuity of supply in case of power outage. UPS stands ...

What is Uninterruptible Power Supply UPS?

Apr 7, 2025 · An uninterruptible power supply (UPS) is an electrical unit that provides backup power during power failures. It ensures that devices such as ...

What is UPS: A Guide to Uninterruptible Power

Aug 26, 2024 · Understanding Uninterruptible Power Supply (UPS) An Uninterruptible Power Supply, commonly known as UPS, is a crucial device in ...

What is an uninterruptible power supply (UPS), and how ...

May 15, 2025 · An Uninterruptible Power Supply (UPS) is a device that provides instant backup power during a mains power failure or disturbance. It contains a battery and inverter that ...

Uninterruptible Power Supply (UPS)

Function If power supply to devices stops because of an instantaneous voltage drop or a power failure, devices such as PCs or registers shut down ...

The Role and Importance of Uninterrupted ...

Jun 24, 2025 · UPS systems serve both as immediate power solutions and as safeguards against data loss. They provide a buffer to handle the transient ...

A Comprehensive Guide to UPS Systems: Features and Benefits

Jan 27, 2025 · A UPS, or Uninterruptible Power Supply, is an electrical device that provides emergency power to a load when the main power source fails. Unlike generators, which may ...

Functions, types, and advantages of ...

Dec 20, 2022 · The most common types of UPS are standby/offline, line-interactive, and double conversion online. All are used to achieve the main ...

Uninterruptible Power Supply (UPS) in Data ...

Feb 6, 2021 · An uninterruptible power supply(UPS), is a device or system that maintains a continuous supply of electric power to certain essential equipment ...

Contact Us

For more information, pricing, or custom solutions, please contact us:

Website: <https://www.veuwpackaging.co.za>

Email: info@veuwpackaging.co.za

Phone: +27 63 547 2891

Address: 15 Oxford Road, Parktown, Johannesburg, 2193, South Africa

This document is for informational purposes only. Specifications subject to change without notice.

